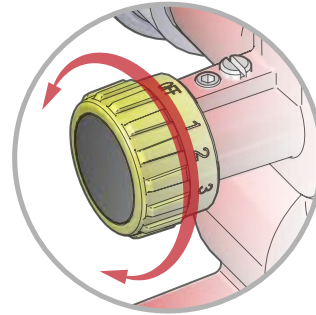
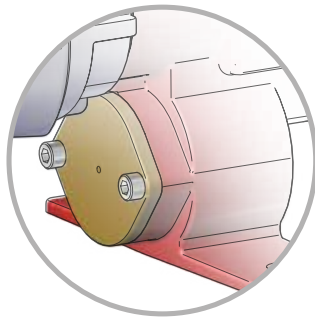


Eductors "MIXY EDUCTOR" in aluminium alloy with metering device

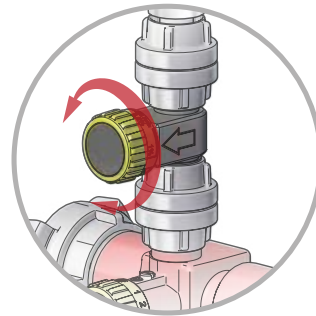
With control valve and metering device



Setting of the dosing percentage via the indexed metering device



Control valve integrated to the eductor



Optional: the eductors "MIXY EDUCTOR" of 200 and 400 lpm can be equipped with a metering device with suction percentages of 0,1%, 0,5% and 1%.

Our range of foam "MIXY EDUCTOR" operates according to the Venturi principle. As the pressurized water passes through the tip of the convergent pipe, a suction effect is created and the foam concentrated liquid is drawn up. The eductor is fitted with a non-return valve with a polyethylene ball valve, which prevents water from flowing back into the emulsifier tank. The metering orifice regulates the concentration flow and thus determines the percentage of the foam liquid from 0% to 6%.

The control valve allows a constant dosage while pressure varies.

Our range of eductors are used with flow rates from 200 to 800 lpm and various possible connections: threaded BSP or NST-NH or standardised couplings. Construction in aluminium alloy with red polyester coating.

Maximum working pressure: PN16
Material: aluminium alloy
Surface treatment: polyester coating
Body type: moulded
Non-return valve: yes
Control valve: yes
Pressure loss: 35%
Supplied with pick-up tube: yes

Options: metering device 0,1%, 0,5% and 1% for 200 and 400 lpm eductors.

Inlet	Outlet	Suction percentage adjustment	Flow rate / Working pressure				Dimensions (mm)	Weight (kg)	Ref.
			lpm	Bar	GPM	PSI			
2" BSP male	2" BSP male	0, 1%, 2%, 3%, 4%, 5%, 6%	200	10	60	140	309 x 171 x 184	2,53	16160
Storz C/52	Storz C/52	0, 1%, 2%, 3%, 4%, 5%, 6%	200	10	60	140	378 x 171 x 176	3,13	16272
DSP DN40	DSP DN40	0, 1%, 2%, 3%, 4%, 5%, 6%	200	10	60	140	415 x 171 x 184	2,93	18426
1.5" NST-NH female	1.5" NST-NH male	0, 0,4%, 1%, 3%, 6%	200	10	60	140	372 x 171 x 184	2,90	18749
1.5" NST-NH female	1.5" NST-NH male	0, 0,4%, 1%, 3%, 6%	300	10	95	140	372 x 171 x 184	2,90	18750
2" BSP male	2" BSP male	0, 1%, 2%, 3%, 4%, 5%, 6%	400	10	125	140	309 x 171 x 184	2,50	16215
Storz C/52	Storz C/52	0, 1%, 2%, 3%, 4%, 5%, 6%	400	10	125	140	378 x 171 x 176	3,07	16172
Storz B/75	Storz B/75	0, 1%, 2%, 3%, 4%, 5%, 6%	400	10	125	140	384 x 171 x 176	4,88	16173
DSP DN40	DSP DN40	0, 1%, 2%, 3%, 4%, 5%, 6%	400	10	125	140	415 x 171 x 184	2,97	18747
DSP DN65	DSP DN65	0, 1%, 2%, 3%, 4%, 5%, 6%	400	10	125	140	410 x 171 x 184	3,22	18410
1.5" NST-NH female	1.5" NST-NH male	0, 0,4%, 1%, 3%, 6%	400	10	125	140	372 x 171 x 184	2,90	18751
2.5" NST-NH female	2.5" NST-NH male	0, 0,4%, 1%, 3%, 6%			150	140	536 x 197 x 225	5,32	18752
2.5" NST-NH female	2.5" NST-NH male	0, 0,4%, 1%, 3%, 6%			200	140	536 x 197 x 225	5,32	18753
2.5" BSP male	2.5" BSP male	0, 1%, 2%, 3%, 4%, 5%, 6%	800	10	250	140	454 x 197 x 225	4,65	16174
Storz C/52	Storz C/52	0, 1%, 2%, 3%, 4%, 5%, 6%	800	10	250	140			16175
Storz B/75	Storz B/75	0, 1%, 2%, 3%, 4%, 5%, 6%	800	10	250	140	529 x 197 x 217	5,50	16176
DSP DN65	DSP DN65	0, 1%, 2%, 3%, 4%, 5%, 6%	800	10	250	140	535 x 197 x 225	5,81	18748
2.5" NST-NH female	2.5" NST-NH male	0, 0,4%, 1%, 3%, 6%	800	10	250	140	536 x 197 x 225	5,32	18754

